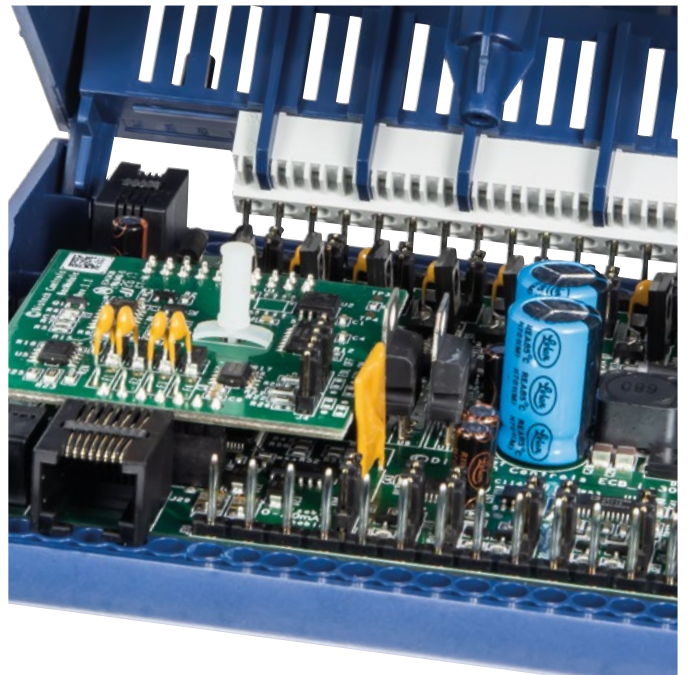


wiecon 8142 ZP

COMPACT **POWER**

Compact and powerful rising cage terminal
for machines + plants.



WIECON 8142 ZP

THE COMPACT **POWER TERMINAL**

WITH A PITCH OF 5 MM.

Our rising cage terminal 8142 ZP offers even more advantages compared to conventional products on the market. Smallest dimensions, highest safety at the connection torque and the largest cross-section range as well as a high current carrying capacity up to 12 A make these terminals a universal solution.

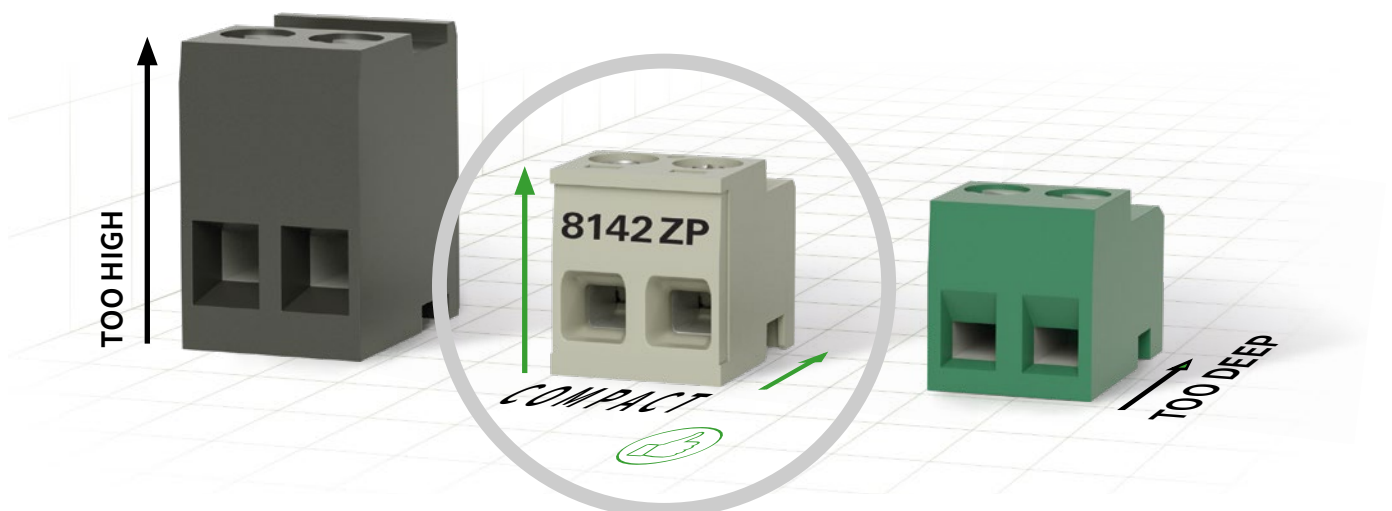
Additional features include coding pins, special housing geometry for improved handling, and optional 2D barcode identification.

OVERVIEW OF BENEFITS:

- + 50 % HIGHER CURRENT RATING UP TO 12
- + WIDE RANGE OF CROSS-SECTIONAL AREAS 0,14 MM² TO 2,5 MM²
- + PIN HEADER PLUGGABLE FROM ABOVE OR BELOW
- + TENSION CLAMP TECHNOLOGY INSTEAD OF WIRE PROTECTION

FOR PCB TERMINALS 4.0

- + 16 A version for even more power
- + More power
- + Improved handling





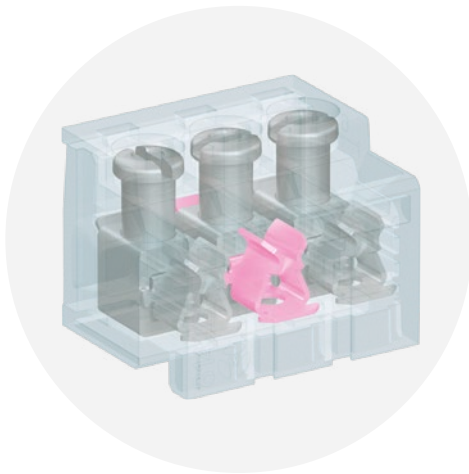
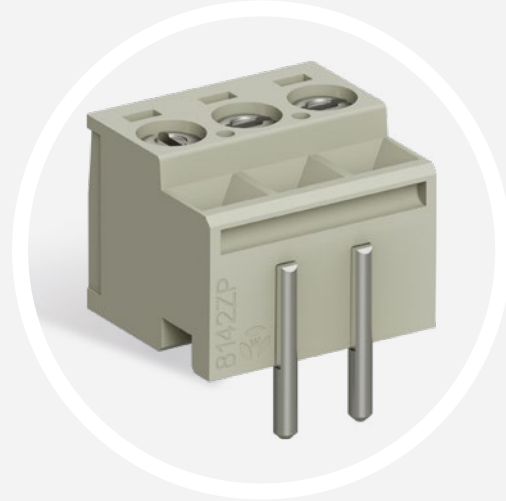
WIECON 8142 ZP

The best, made even better

SAFE

Thanks to the special terminal design, interference is reduced to a minimum. The codability prevents mismatching.

- Codable using coding pins
- Custom marking prevents part mix ups
- More safety when connecting the wire thanks to a special cover and housing geometry



POWERFUL

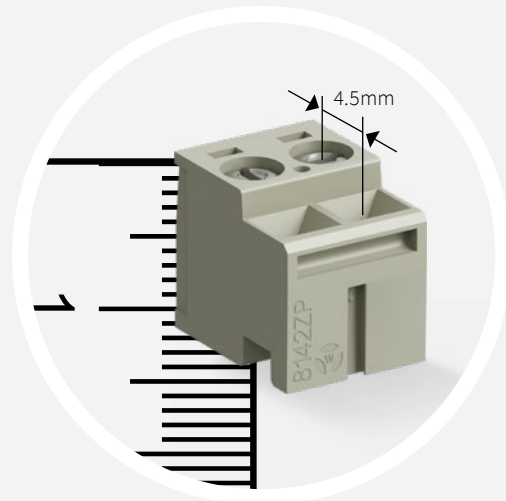
Our terminal offers optimum electrical safety through maximum current carrying capacity.

- Current rating of 12 A due to special geometry of the tulip contact
- Current rating 16 A with 10 mm
- For cross-sections up to 2.5 mm² / AWG 14, fine stranded, and 1.5 mm² / AWG 16 with ferrules

COMPACT

Our extremely compact terminal convinces with the largest possible conductor cross-sections at a small size.

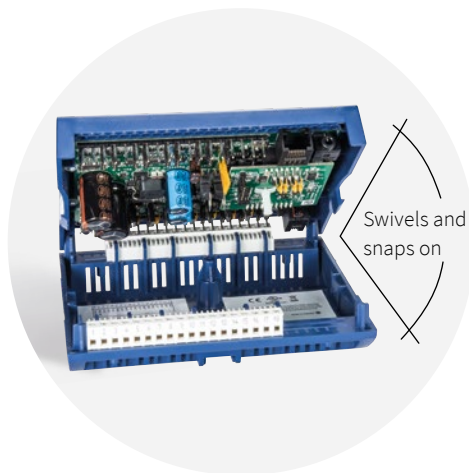
- Minimum external dimensions with maximum connection area
- Easily retrofitted into existing designs due to industry-standard distances between the pin and screw



UNIQUE FUNCTIONAL

The intelligent and secure locking of the screw in the insulating housing offers perfect handling without influencing the screwing of the clamping point.

- Maintenance free connections thanks to our tried-and-tested screw brake
- No more loose screws in the packaging
- Also ensures that the terminal space is always open upon delivery



VERSATILE

A wide range of connection options and solutions for functional and practical installation are available.

- Available in different colors
- Practical, as it can be swivelled and snapped on
- Suitable for a wide range of applications

WORLDWIDE APPLICATION POSSIBLE

Our products are easy to handle. Thanks to international approvals, they can be used worldwide, e.g. in device construction.

- Simple and fast handling
- Slotted screw for standard screwdriver no special tools required
- UL, CSA, and VDE approvals

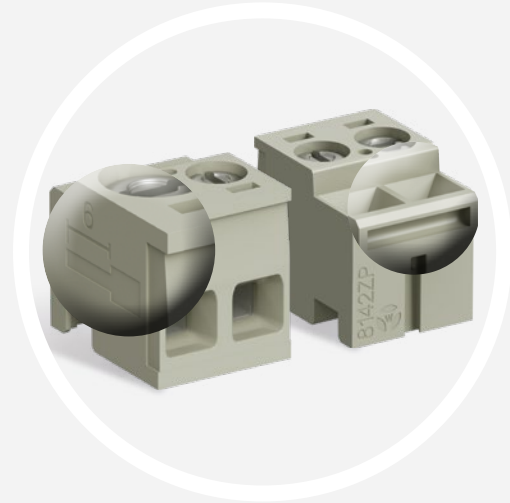




EASY TO INSTALL

The design of our tension clamp terminal facilitates the connection of the conductors and offers maximum mounting comfort.

- Large wire insertion opening
- Large insertion funnel makes connecting the header easier
- Recessed ribs make handling easier
- Wire strip length indicated on the housing



COST-REDUCING PACKAGING

Our THR-enabled PCB header saves immense manufacturing and assembly costs.

- THR pin headers in Tape on Reel packaging with Pick and Place Pad
- Can be using with existing headers of varying lengths, diameters, and packaging forms
- Most cost-effective type of plug connection

CUSTOM PRINTING

We offer you marking and identifying solutions for better recognition and facilitation at work.

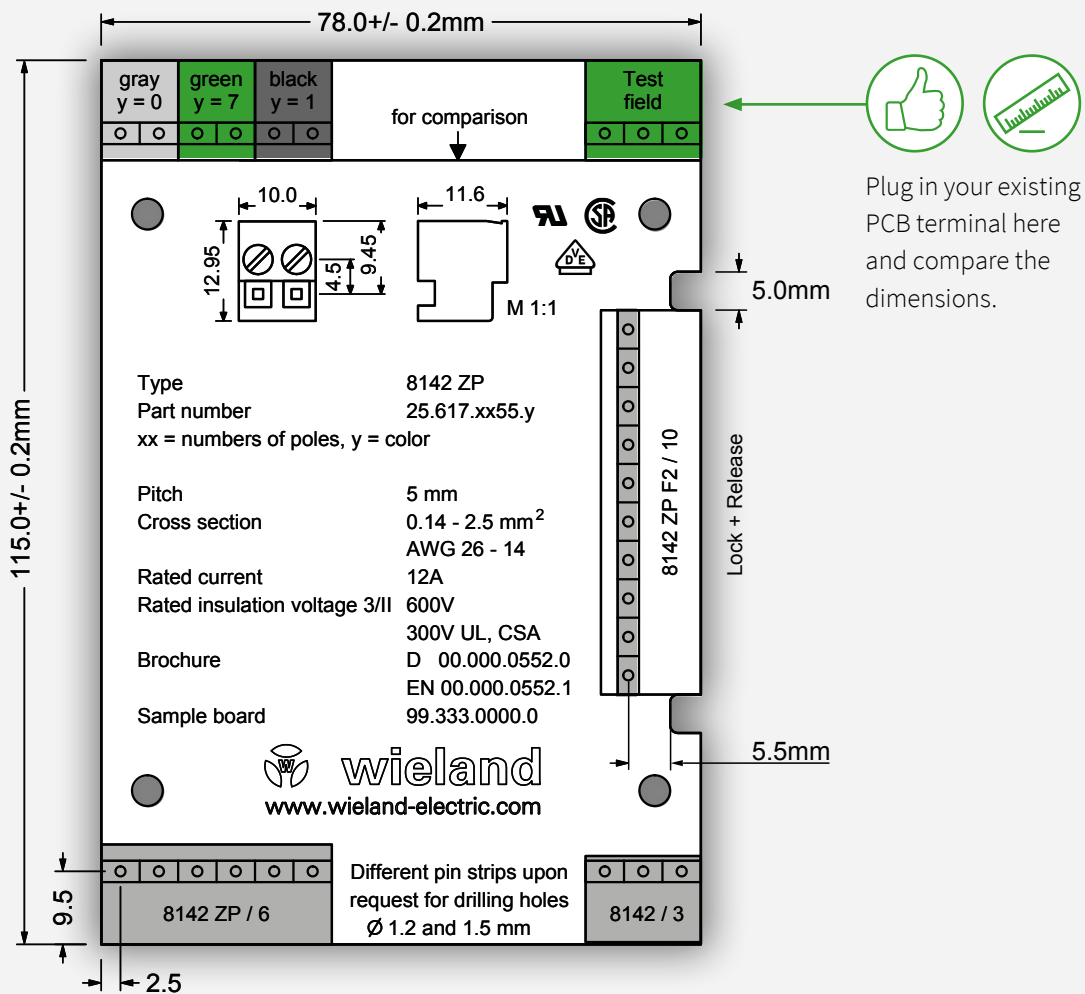
- 2D code can be applied with customer-specific data
- Large labeling areas
- Individual terminal printing
- Color printing possible using ink jet or pad printing
- Contact us for unique marking requirements





TEST AND SEE.

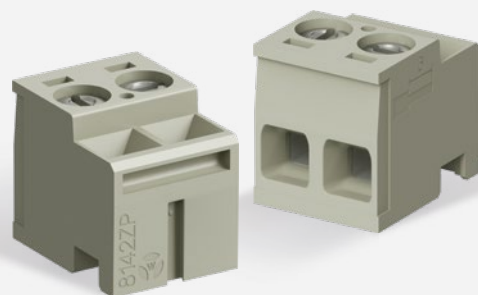
Order our sample printed circuit board (99.333.0000.0) and see for yourself the many advantages of the pluggable 8142 ZP printed circuit board terminal. The important dimensions and part numbers are conveniently displayed on the board, and you will be able to directly evaluate how you can benefit from this new exciting product.

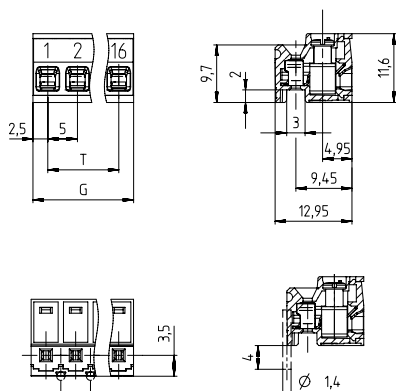
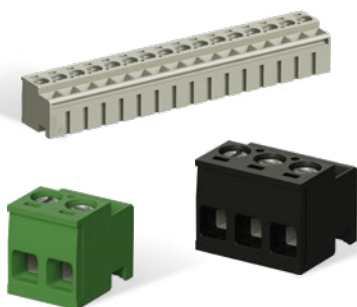


Plug in your existing PCB terminal here and compare the dimensions.

Sample board Art. No.: 99.333.0000.0

OUR SERVICE
—
SAMPLE BOARD FOR YOU!





Special printing to customer requirements

Colors	RAL	Name	Color code
	7032	Gray	25.xxx.xxxx.0
	9005	Black	25.xxx.xxxx.1
	6017	Green	25.xxx.xxxx.7

12 A Version | Standard

Poles	G (mm)	T (mm)	Art. No.	PU
2	10.0	5.0	25.617.0255.0	100
3	15.0	10.0	25.617.0355.0	100
4	20.0	15.0	25.617.0455.0	50
5	25.0	20.0	25.617.0555.0	50
6	30.0	25.0	25.617.0655.0	50
7	35.0	30.0	25.617.0755.0	50
8	40.0	35.0	25.617.0855.0	50
9	45.0	40.0	25.617.0955.0	50
10	50.0	45.0	25.617.1055.0	50
11	55.0	50.0	25.617.1155.0	50
12	60.0	55.0	25.617.1255.0	50
13	65.0	60.0	25.617.1355.0	50
14	70.0	65.0	25.617.1455.0	50
15	75.0	70.0	25.617.1555.0	50
16	80.0	75.0	25.617.1655.0	50

16 A Version | Power

Poles	G (mm)	T (mm)	Art. No.	PU
2	20.0	15.0	25.617.2255.0	50
3	30.0	25.0	25.617.2355.0	50
4	40.0	35.0	25.617.2455.0	50
5	50.0	45.0	25.617.2555.0	50

TECHNICAL DATA	12 A	16 A
Rated voltage		
IEC 4 kV / II	600 V	600 V
UL	300 V	
CSA	300 V	
Rated current	12 A	16 A
Wire connection range		
Fine stranded	0.14 - 2.5 mm ² / AWG 26 - 14	
Solid	0.14 - 2.5 mm ² / AWG 26 - 12	
Ferrules with insulating collars	0.25 - 1.5 mm ² / AWG 24 - 16	
Multi-conductor connection	2 x 1.5 mm ² / 2 x AWG 16	
Wire strip length	6 mm	
Dimensions		
Assembly depth	12.95 mm	
Assembly height	11.6 mm	
Distance middle of pin to part end	3.5 mm	
Distance pin to screw	4.5 mm	
Screw		
Screw type	Slotted screw	
Screw thread	M3	

Accessories

Description	Art. No.	PU
Coding plate, (6-pins)	06.562.6753.5	20

Headers Pitch 5.0 mm

Art. No.	Art. No.	Art. No.	Art. No.
90° angled	Straight 14,5 mm	Straight 12,0 mm	Straight THR 14,5 mm
Soldered pin Ø 1,3 mm	Z5.540.3825.0	Z5.530.3825.0	Z5.529.0825.0
Soldered pin Ø 1,0 mm	Z5.540.0825.0	Z5.542.3825.0	Z5.530.3825.0

Number of poles from 02 to 16. Z5.5xx.3225.0 to Z5.5xx.4625.0 resp. Z5.5xx.0225.0 to Z5.5xx.1625.0



INFO TO GO

All brochures from Wieland Electric are available for download on our website.



<https://www.wieland-electric.com/en/support/downloads>

Interesting for you



<https://wie.li/webpcbcompen>
Printed circuit board components



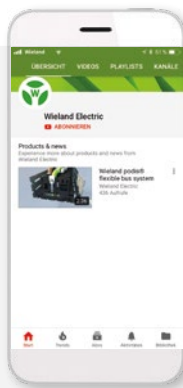
WIECON OVERVIEW
PCB terminals and plug connectors.
Art. No. 0580.1



WIECON RAST 5
Printed circuit board connectors for applications in HVAC.
Art. No. 0570.1



Wieland on YouTube
See our solutions in motion



<https://www.youtube.com/user/WielandElectric>



Technical consultation
Industry Solutions

E-mail: industry@wieland-electric.com

Worldwide: <https://wie.li/contactinternational>



ONLY ONE TAP AWAY

Our Wieland E-Shop
Over 25,000 products - anytime

In our online store you will find all the information about our products, prices, and technical data.

Order easily and conveniently online, and check availability.

<https://eshop.wieland-electric.com>

Scan QR code – view products in the E-SHOP.





wieland

HEADQUARTERS

Wieland Electric GmbH
Brennerstraße 10 – 14
96052 Bamberg · Germany

Phone +49 951 9324-0
Fax +49 951 9324-198
info@wieland-electric.com

0552.1 S 03/22

Represented in over 70 countries worldwide:

www.wieland-electric.com