



### Modular Shaft encoder, Incremental

- Robust encoder with solid shaft
- Short-circuited protected outputs
- IP67 at housing, IP66 at shaft inlet
- Inductive scanning



### Mechanical data

Operating temperature	-40 °C...+70 °C
Ingress protection class [IEC 60529]	IP67 (IP66 at shaft inlet)
Vibration [IEC 60068-2-64]	≤ 100 m/s <sup>2</sup> (10-2000 Hz)
Shock [IEC 60068-2-27]	≤ 2000 m/s <sup>2</sup>
Shaft load (axial/radial)	50 N / 60 N
Rotational speed max	6000 rpm
Shaft material	Stainless steel
Cover material	Aluminium (Anodized)
Weight	400 g

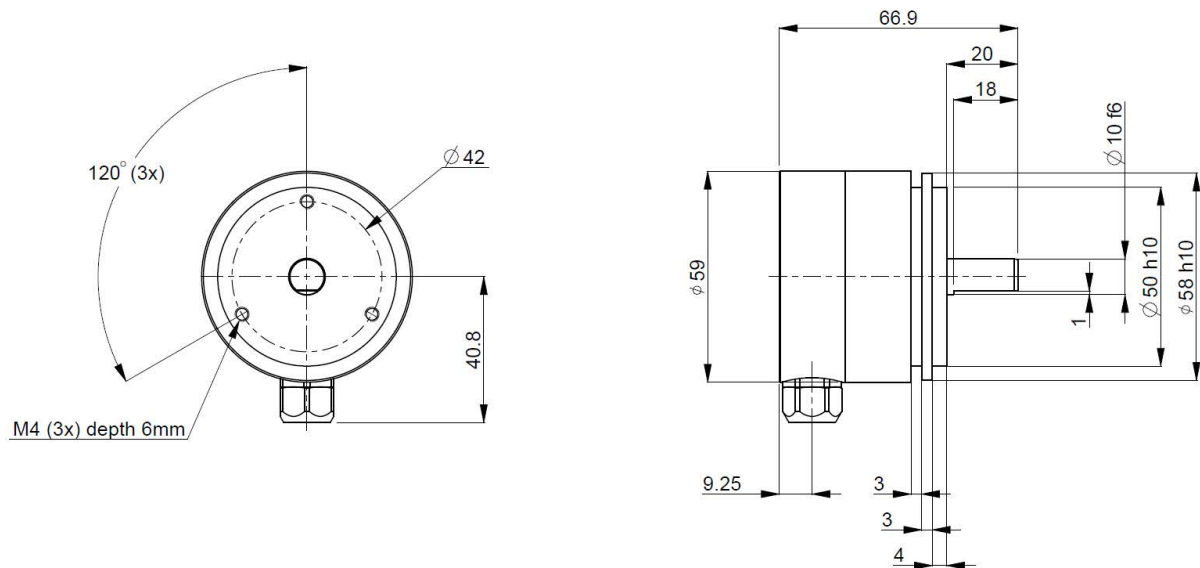
### Encoder configuration

Type	MSI
Model	593
Shaft type	Ø10 mm with 18mm flat
Flange type	Synchro flange (63-type)
Resolution	1024 ppr
Power supply	9-30 Vdc
Output signal	HTL
Connection type	Cable, Ø7.9 mm PUR 5x2x0.25
Connecting direction	Radial
Cable length	2 m
Number of channels	6 (S00, S00\, S90, S90\, Sref, Sref\)
STATUS signal	Yes

### Electrical data

Polarity protected	Yes
Short circuit protected outputs	Yes
Current consumption	60 mA at 24 Vdc (Max. 130 mA at 9 Vdc)
Incremental output load (max)	± 40 mA
Output frequency max	205 kHz at 50m cable
Cable length max	100 m at 100 kHz
Channel separation	90 °el ± 25 °el
Encoder accuracy	< 300'' (arc seconds) @ < 500 rpm
Duty cycle	180°el ± 27 °el
Start up time	< 2 seconds

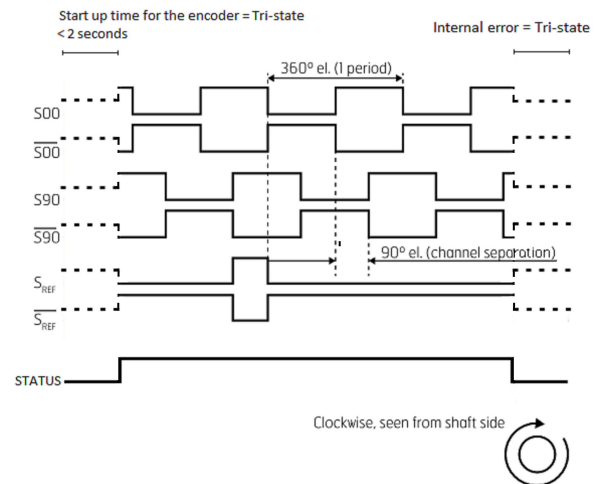
## Dimensions



## Pin Configuration

Function	Colour
+ E Volt	Red
0 Volt	Blue
S00	Yellow
S00 inverted	Black
S90	Green
S90 inverted	White
Sref	Brown
Sref inverted	Violet
STATUS	Grey
Not connected	Pink
Case	Shield

## Output signal



## Order information

Part number	1361841-01
-------------	------------