

# ETHERLINE® ACCESS

Industrial Communication





**LAPP**

P1

P2

7

5

3

1

8

15

6

13

4

11

2

9

16

14

12

10

ETHERLINE® ACCESS U16T



## Industrial Communication made by **LAPP**.

The right solution for every application

Digitalisation is already leading to ever increasing data volumes in production halls. As a result, Ethernet, which has already become a standard in office environments, is also becoming increasingly important in industrial environments. The challenge for industrial data cables lies in reliably transferring ever higher data rates in harsh industrial environments. Benefit from our global product availability at 40+ sites and protocol-independent expert know-how.

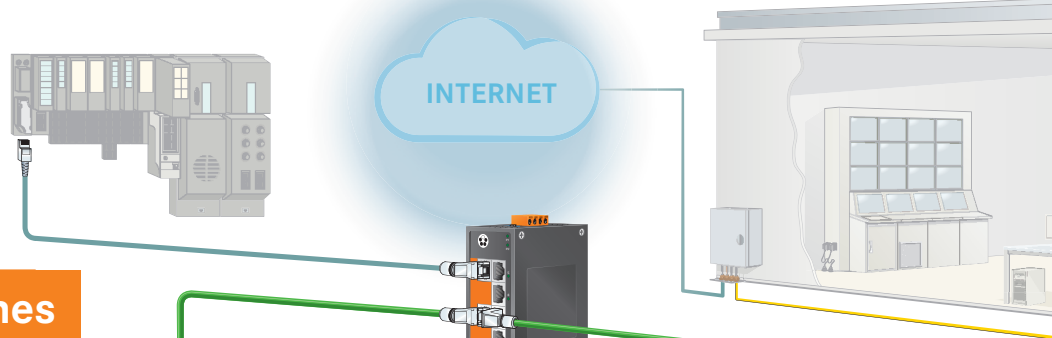
As we incorporate products into our customers' automation processes, we are constantly asked to supply innovative ideas to solve important future-oriented challenges. Therefore we offer our customers a wide array of components and system solutions for factory, building and process automation. Our data communication solutions include complete cabling and connectivity systems for integrated networking at the sensor/actuator and control level right through to the inventory management system.

### **ETHERLINE® ACCESS series - your benefits**

- 4 - 16 ports
- Robust and space-saving design for use in control cabinets
- Connections for copper and glass fibre cables
- Portfolio includes more than 20 products
- Cable, Connector, Patchcord and Switch - all from one source
- Products for all common protocol standards

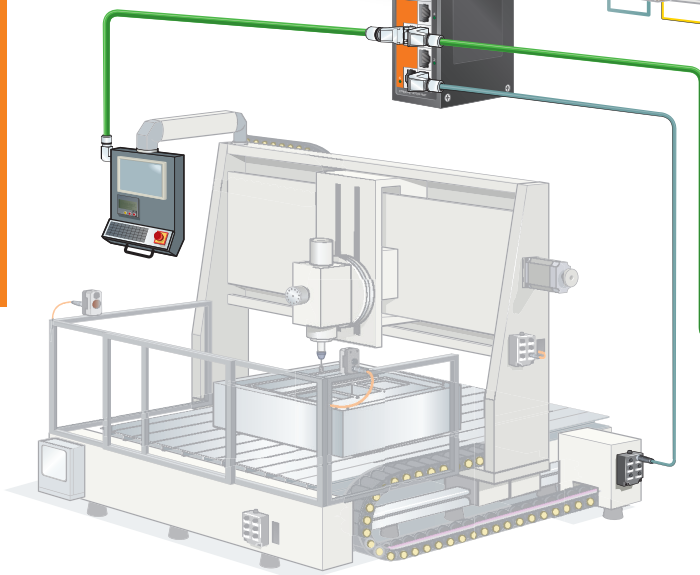


Find out more:  
[www.lappkabel.com/networks](http://www.lappkabel.com/networks)



**Unmanaged Switches**

- ETHERLINE® ACCESS U05T-2GEN
- ETHERLINE® ACCESS U08T-2GEN
- ETHERLINE® ACCESS U16T



**Unmanaged Switches**

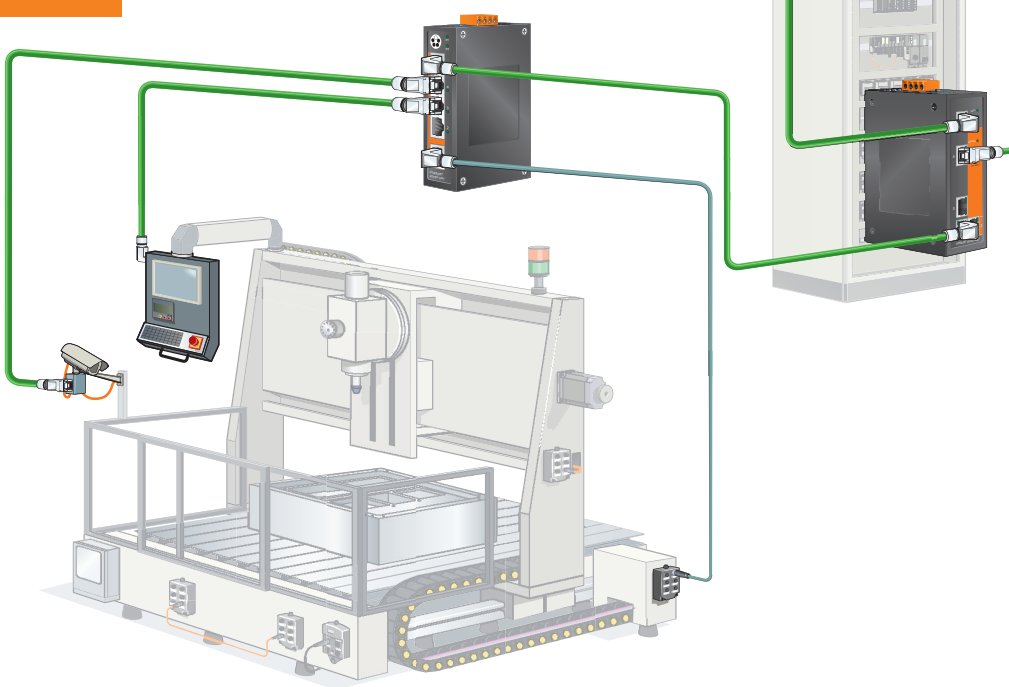
- ETHERLINE® ACCESS U08GT
- ETHERLINE® ACCESS U04TP01T

**Managed**

ETHERLINE® ACC

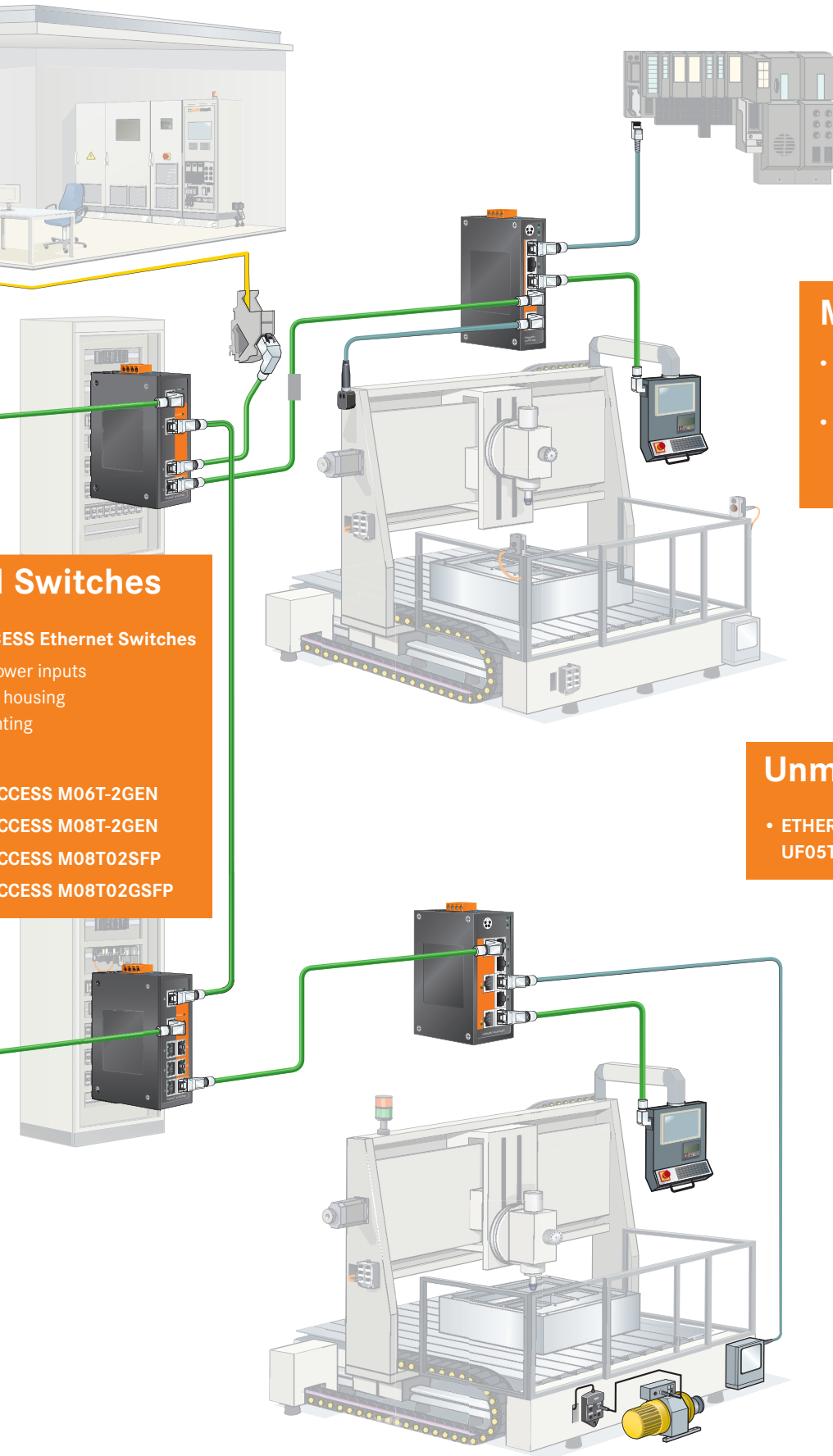
- Redundant po
- Robust metal
- DIN rail mount
- Fanless

- ETHERLINE® A
- ETHERLINE® A
- ETHERLINE® A
- ETHERLINE® A





# Solutions for SMART FACTORIES



**Managed Switches**

ETHERLINE® ACCESS Ethernet Switches

- Power inputs
- Rack housing
- Redundant power feeding

ETHERLINE® ACCESS M06T-2GEN

ETHERLINE® ACCESS M08T-2GEN

ETHERLINE® ACCESS M08T02SFP

ETHERLINE® ACCESS M08T02GSFP

**Managed Switches**

- ETHERLINE® ACCESS NF04T - NAT/Firewall
- ETHERLINE® ACCESS PNF04T/PNF08T/PNF16T - PROFINET® switches

**Unmanaged Switches**

- ETHERLINE® ACCESS UF05T/UF08T/UF16T

# ETHERLINE® ACCESS

## Industrial network solutions for Smart Factories

Reliable functioning industrial network components from a single source. Industrial network solutions from LAPP contain data cables, connectors, accessories and industry compatible switches.

Improve your total costs of ownership (TCO) through fast commissioning and thus reduced downtime. Rely on LAPP's renowned quality, high availability and comprehensive services.

### General Features

- High availability - redundant power inputs
- High availability - ring redundancy
- Maintenance free - fanless
- Robust metal housing and DIN rail mounting

## ETHERLINE® ACCESS M06T-2GEN/M08T-2GEN/ M08T02SFP/M08T02GSFP



### Features for managed switches

- Simple setup of redundant network-topologies with reconfiguration time < 20ms
- RJ45 ports: 10/100/1000 BaseT(X)
- Packet Buffer Size: 1 Mbit
- Redundant power input: 24 VDC
- Supported protocols: HTTP, Telnet, EtherNet/IP, Modbus/TCP, IPv6, and many more
- Temperature range: -40°C up to 75°C
- UL 61010
- Shock: IEC 60068-2-27
- Freefall: IEC 60068-2-32
- Vibration: IEC 60068-2-6

### Benefits

- Most flexible and globally present solutions from one hand

Article number	Designation	Type	RJ45 Ports	Features
21700125	ETHERLINE® ACCESS M06T-2GEN	Managed	6	
21700126	ETHERLINE® ACCESS M08T-2GEN	Managed	8	
21700136	ETHERLINE® ACCESS M08T02SFP	Managed	8	SFP Port
21700137	ETHERLINE® ACCESS M08T02GSFP	Managed	8	SFP Port

## ETHERLINE® ACCESS U05T-2GEN/U08T-2GEN/ U16T/U04TP01T/U08GT



### Features for unmanaged switches

- RJ45 ports: 10/100/1000 BaseT(X)
- Packet Buffer Size: 1Mbit
- Broadcast storm protection
- Redundant power input: 24 VDC
- Temperature range: -10°C up to 60°C
- UL 61010
- Shock: IEC 60068-2-27
- Freefall: IEC60068-2-32
- Vibration: IEC 60068-2-6

### Benefits

- Most flexible and globally present solutions from one hand

Article number	Designation	Type	RJ45 Ports	Features
21700123	ETHERLINE® ACCESS U05T-2GEN	Unmanaged	5	
21700124	ETHERLINE® ACCESS U08T-2GEN	Unmanaged	8	
21700120	ETHERLINE® ACCESS U16T	Unmanaged	16	
21700138	ETHERLINE® ACCESS U04TP01T	Unmanaged	5	PoE
21700129	ETHERLINE® ACCESS U08GT	Unmanaged	8	Gigabit

Photographs and graphics are not to scale and do not represent detailed images of the respective products.

## ETHERLINE® ACCESS PNF04T/PNF08T/ PNF16T



### Features for PROFINET® switches in compact design

- PROFINET® switches with 4, 8 and 16 ports
- PROFINET® Conformance Class B
- Prioritization of PROFINET® telegrams
- Neighbourhood detection LLDP
- RJ45 ports: 10/100BaseT(X)
- Temperature range: -40°C up to 75°C
- Power supply: 18 - 30 VDC
- UL 61010

### Benefits

- Compact design with high port density
- Easy Configuration via web-interface
- Space saving and industrial grade DIN rail mounting

Article number	Designation	Type	RJ45 Ports	MTBF
21700140	ETHERLINE® ACCESS PNF04T	Managed	4	> 15.21 Years
21700142	ETHERLINE® ACCESS PNF08T	Managed	8	> 13.09 Years
21700143	ETHERLINE® ACCESS PNF16T	Managed	16	> 9.64 Years

## ETHERLINE® ACCESS NF04T



### Features for NAT router with firewall function

- NAT (Basic NAT, NAPT) and port forwarding
- Integrated Firewall feature
- RJ45 ports: 10/100BaseT(X)
- Temperature range: -40°C up to 75°C
- Power supply: 18 - 30 VDC
- UL 61010

### Benefits

- Compact design with high port density
- Reduced installation effort in existing networks
- Easy Configuration via web-interface
- Space saving and industrial grade DIN rail mounting

Article number	Designation	Type	RJ45 Ports	MTBF
21700141	ETHERLINE® ACCESS NF04T	Managed	4	> 14.01 Years

## ETHERLINE® ACCESS UF05T/UF08T/UF16T



### Features for unmanaged switches in compact design

- Switches with 5, 8 and 16 ports
- RJ45 ports: 10/100BaseT(X)
- Temperature range: -25°C up to 60°C
- Power supply: 18 - 30 VDC
- UL 61010

### Benefits

- Compact design with high port density
- PROFINET® enabled device
- Space saving and industrial grade DIN rail mounting

Article number	Designation	Type	RJ45 Ports	MTBF
21700144	ETHERLINE® ACCESS UF05T	Unmanaged	5	> 35.55 Years
21700145	ETHERLINE® ACCESS UF08T	Unmanaged	8	> 29.70 Years
21700146	ETHERLINE® ACCESS UF16T	Unmanaged	16	> 16.62 Years

Photographs and graphics are not to scale and do not represent detailed images of the respective products.



**ÖLFLEX®**  
Power and control cables



**UNITRONIC®**  
Data communication systems



**ETHERLINE®**  
Data communication systems  
for ETHERNET technology



**HITRONIC®**  
Optical transmission systems



**EPIC®**  
Industrial connectors



**SKINTOP®**  
Cable glands



**SILVYN®**  
Protective cable conduit systems  
and cable carrier systems



**FLEXIMARK®**  
Marking systems

Follow LAPP on



**Terms of Trade:** Our general conditions of sale can be downloaded from our website [www.lappgroup.com/terms](http://www.lappgroup.com/terms)

[www.lappgroup.com](http://www.lappgroup.com)

To contact your local LAPP representative, please visit [www.lappgroup.com/worldwide](http://www.lappgroup.com/worldwide)

