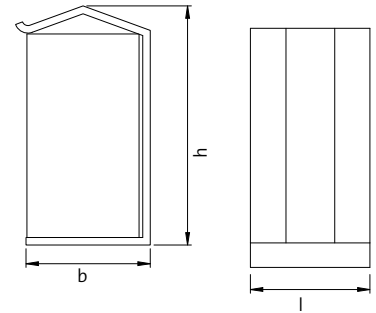


SC | SK

EMC Shield clamps



Product description

Shield clamps can be used where the shield of single cables has to be grounded.

Shield clamps can be assembled on a mounting plate with screws, with SC-feet in DIN-rails shape C or with SF-feet on 35 mm DIN-rails shape H.

Advantages

- Simple assembly onto TS-35 DIN rails and 10 x 3 mm busbars
- Various sizes and possibilities for mounting



SC foot single for C-rail (PU: 10) Order No. 36220

Specification

Material

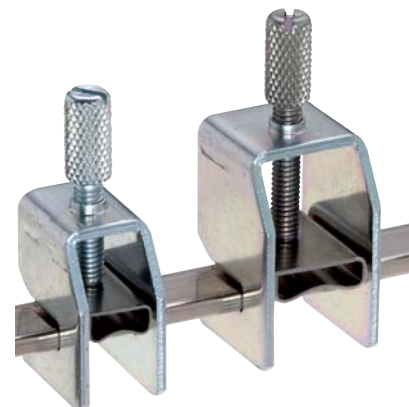
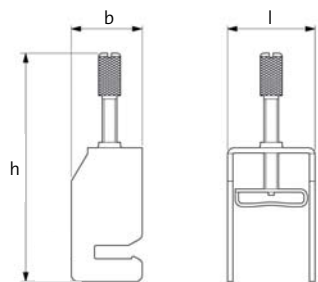
SK-clamp Steel, galvanically zinc-plated
 SF-foot Spring steel

Accessories

DIN rail / Busbar 10 x 3 Page 91
 Stripping tool Page 115

Description	Type	Order No.	Shield diameter	Dimensions l x b x h [mm]	PU
For direct mounting (M4-screw included):					
	SK 3-8	36222	3 - 8 mm	18 x 14 x 26	10
	SK 4-13.5	36224	4 - 13.5 mm	20 x 20 x 31	10
	SK 10-20	36226	10 - 20 mm	26 x 24 x 40	10
	SK 15-32	36228	15 - 32 mm	32 x 35 x 64	10
For 35 mm DIN-rail shape H:					
	SF SK 3-8	36500	3 - 8 mm	18 x 14 x 26	10
	SF SK 4-13.5	36502	4 - 13.5 mm	20 x 20 x 31	10
	SF SK 10-20	36504	10 - 20 mm	26 x 24 x 40	10
	SF SK 15-32	36506	15 - 32 mm	32 x 35 x 64	10
For 10 x 3 mm busbar:					
	SS SK 3-8	36235	3 - 8 mm	18 x 14 x 26	10
	SS SK 4-13.5	36236	4 - 13.5 mm	20 x 20 x 31	10
	SS SK 10-20	36237	10 - 20 mm	26 x 24 x 40	10
	SS SK 15-32	36238	15 - 32 mm	32 x 36 x 64	10
For 35 mm DIN-rail shape C:					
	SC SK 3-8	36696	3 - 8 mm	18 x 14 x 26	10
	SC SK 4-13.5	36700	4 - 13.5 mm	20 x 20 x 31	10
	SC SK 10-20	36704	10 - 20 mm	26 x 24 x 40	10
	SC SK 15-32	36708	15 - 32 mm	32 x 36 x 64	10

SKS EMC Shield clamps



Type	Order No.	Shield diameter	Dimensions l × b × h [mm]	PU	Description
------	-----------	-----------------	---------------------------	----	-------------

SKS 2-5	36282	2 - 5 mm	9 × 19.5 × 47	10	
SKS 3-8	36283	3 - 8 mm	12 × 19.5 × 49	10	
SKS 3-14	36284	3 - 14 mm	17.5 × 19.5 × 60	10	
SKS 3-20	36285	3 - 20 mm	24.5 × 19.5 × 75	10	
SKS 5-28	36286	5 - 28 mm	31 × 20 × 93	10	
SKS 20-35	36287	20 - 35 mm	41 × 20 × 107	10	

Product description

Shield clamps can be used where the shield of single cables has to be grounded.

Shield clamps can be assembled on 10 × 3 mm busbars.

Advantages

- One SKS shield clamp supports a wide range of cables
- Simple assembly on 10 × 3 mm busbars

Specification

Material

SKS-clamp Steel, galvanically zinc-plated

Accessories

Busbar 10 × 3 Page 91
Stripping tool Page 115