

SCREWING TOOLS

Heating valve / Square

□ 5 mm

Square / Triangle

□ 9-10 mm

▲ 10-11 mm

Square / Half-moon

□ 6 mm

○ 3-5 mm

Square / Triangle

□ 7-8 mm

▲ 8-9 mm

Two-way key bit / Triangle

○ 3-5 mm

▲ 7 mm



- 1
- 2
- 3
- 4
- 5
- 6
- 7
- 8
- 9
- 10
- 11
- 12
- 13
- 14
- 15
- 16
- 17
- 18
- 19
- 20
- 21
- 22
- 23
- 24
- 25
- 26

BITFLEX bits

The damping zone (only for bits in 25 mm length) between drive and working tip minimises the excessive power peaks which previously lead to high wear and destructive ejection forces. The FLEX-Zone significantly increases the service life of the BITFLEX in comparison with conventional standard bits. All bits with 1/4" hex drive,

STANDARD

according to DIN 3128, single bits for Phillips crosshead screws

PH 1	25	1	11 4511
PH 1	90	1	11 4508
PH 2	25	1	11 4512
PH 2	90	1	11 4509
PH 3	25	1	11 4513
PH 3	90	1	11 4510

Single bits for Pozidriv crosshead screws

PZ 1	25	1	11 4515
PZ 1	90	1	11 4518
PZ 2	25	1	11 4516
PZ 2	90	1	11 4519
PZ 3	25	1	11 4517
PZ 3	90	1	11 4520

Single bits for slot-head screws, without FLEX-Zone

4.0 x 0.5	25	1	11 4551
5.5 x 0.8	25	1	11 4555
6.5 x 1.2	25	1	11 4559

Single bits for TORX® screws with bore (tamper resistant), without FLEX-Zone

T 10	25	1	11 4970
T 10	90	1	11 4573
T 15	25	1	11 4971
T 15	90	1	11 4574
T 20	25	1	11 4972
T 20	90	1	11 4575
T 25	25	1	11 4973
T 25	90	1	11 4576

Module bits

for combined slot-head/crosshead screws in electrical equipment, e.g. terminal blocks

PZ FL 1	70	1	11 4941
PZ FL 2	70	1	11 4942

TIN

TIN, this is the abbreviation for titanium nitride. This special coating contributes to the already excellent BITFLEX values by improving the service life.

Single bits for Phillips crosshead screws

PH 1	25	1	11 4521
PH 2	25	1	11 4522
PH 3	25	1	11 4523

Single bits for Pozidriv crosshead screws

PZ 1	25	1	11 4525
PZ 2	25	1	11 4526
PZ 3	25	1	11 4527

Magnetic holder

according to DIN 3126, for 1/4" bit drive; with permanent magnet

60	1	11 4505
----	---	---------



Blade size (W x H x L mm)

Total length mm

PU Article no.

Ball-end magnetic bit holder

with pivoting angle up to 20°, 1/4" x 90 mm,

for screwing applications in deep corners or other tight places. With torque-stable stainless steel casing, hardened, blasted and bronzed. Sliding casing that releases the pivoting function is plated in matt chrome and has a colour ring. Hex ball-end joint of chrome vanadium steel, stainless steel casing ø 12.0 x 32 mm
90 x 17 mm

1 11 4502



T-handle magnetic bit holder

in modern two-component design, for 1/4" bits of all lengths

85 x 95 12 11 4500



Bit case, 10 pieces

case cap with star-shaped receiver for bits and universal holder

for slot-head screws

4 - 5.5 - 7 mm width

for Phillips crosshead screws

PH 1 - PH 2 - PH 3

for Pozidriv crosshead screws

PZ 1 - PZ 2 - PZ 3

1 11 4604



Handy bit cases

each with a 60 mm magnetic holder. The case can also be used directly as an assembly tool.

with 6 bits

for slot-head screws 5.5 x 0.8 - 6.5 x 1.2

for Phillips crosshead screws PH 1 + PH 2

for Pozidriv cross-head screws PZ 1 + PZ 2

7 pieces 1 11 4598



with 16 bits

for slot-head screws 6.5 x 1.2

for Phillips crosshead screws PH 1, PH 2 (2 piece), PH 3

for Pozidriv crosshead screws PZ 1, PZ 2 (3 piece), PZ 3

for TORX® with bore T 10, T 15, T 20, T 25, T 30, T 40

17 pieces 1 11 4596



with 2 TORX® bits each of size T 10 - T 20 - T 25

7 pieces 1 11 4597



COMFORT bit sets

in an impact-resistant plastic box with a practical opening mechanism to provide quick access

to individual bits and magnetic bit holders

Magnetic holder 60 mm for 1/4" bit drive

for Phillips crosshead screws PH 1, PH 2

for Pozidriv cross-head screws PZ 1, PZ 2

for TORX® size T 15, T 20, T 25, T 30

for Slot-head screws 0.8 mm, 1.0 mm

11 pieces 1 11 4590



Magnetic holder 90 mm for 1/4" bit drive

Magnetic holder with quick-fit coupling 60 mm for 1/4" bit drive

for TORX® size T 10, 2x T 15, 2x T 20, T 25, T 30

for TORX® with bore size T 10, 2x T 15, 2x T 20, T 25, T 30

for cross-head screws Phillips PH 1, 3x PH 2, PH 3

for cross-head screws Pozidriv PZ 1, 3x PZ 2, PZ 3

for Hex socket 4.0 mm, 5.0 mm, 6.0 mm

for Slot-head screws 0.8 mm, 1.0 mm, 1.2 mm

32 pieces 1 11 4592



Blade size (W x H x L mm)

Total length mm

PU Article no.



Bit set ELEKTRO TOP, 21 pieces

in a practical transport and storage case, includes 1 universal bit holder with permanent magnet, in the types and sizes most common in the electrical field with 60 mm length, and 20 bits 90 mm long

Cross-head Phillips PH 1, PH 2, PH 3

Cross-head Pozidriv PZ 1, PZ 2, PZ 3

for TORX® size T 10 - T 15 - T 20 - T 25

1 11 4602

**SPECIAL bit set, 33 pieces**

bit set for unscrewing safety screws.

Contents: one each of: magnetic holder 60 mm for 1/4" bit drive

TORX® bits with bore (tamper resistant) T 8 - T 10 - T 15 - T 20 - T 25 - T 27 - T 30 - T 35 - T 40

Hex bits with bore (tamper resistant) 2 - 2.5 - 3 - 4 - 5 - 6 mm,
5/64" - 3/32" - 7/64" - 1/8" - 9/64" - 9/32"

Slot bits with recess (Spanner) 4 - 6 - 8 - 10 mm

Tri-wing bits TW 1 - TW 2 - TW 3 - TW 4

Torq-Set bits TS 6 - TS 8 - TS 10

1 11 4599

**"Long safety bits" set, 50 pieces**

for working with screws of all types, especially safety screws and special screws. Thanks to extended length of 75 mm excellent for working in tight spaces which are hard to access, with standard hex receiver 1/4" for cordless screwdriver and manual operation, made of chrome vanadium steel, stored neatly and securely in a shock-resistant plastic case (195 x 135 x 38 mm). Contains one each of the following screw bits:

Slot 4 mm - 5 mm - 6 mm



TORX® T 10 - T 15 - T 20 - T 25 - T 30



Slot with recess (Spanner)
4 mm - 6 mm - 8 mm - 10 mm



TORX® with bore (tamper resistant)
T 8 TR - T 10 TR - T 15 TR - T 20 TR - T 25 TR
T 27 TR - T 30 TR - T 35 - T 40 TR



Cross-head Phillips PH 1 - PH 2



TORQ SET TS 6 - TS 8 - TS 10



Pozidriv cross-head PZ 1 - PZ



TRI-WING
TW 1 - TW 2 - TW 3 - TW 4



Square socket (Robertson) size 1 - size 2



Clamp bits / CLUTCH
C 1 - C 2 - C 3



Hex socket (Allen) 4 mm - 5 mm - 6 mm



XZN polygon size 5 - size 6 - size 8



Hex socket (Allen) with bore (tamper resistant)
2 mm - 2.5 mm - 3 mm - 4 mm - 5 mm - 6 mm



Universal bit holder, with 1/4" hex receiver and permanent magnet, length 60 mm

1 11 4606

**Hex key set, 9 pieces**

with key sizes 1.5 - 2 - 2.5 - 3 - 4 - 5 - 6 - 8 - 10 mm, with extra long blade with ball end, made of fully hardened S2 special steel, polished, hard chrome-plated surface, rounded edges, in a practical plastic holder for adding to a tool bag or mounting on the wall

1 11 0604

**NEW****SPECIAL Hex key set, 9 pieces**

with key sizes 1.5 - 2 - 2.5 - 3 - 4 - 5 - 6 - 8 - 10 mm, with extra long blade with ball-end, made of fully hardened S2 special steel, polished, hard chrome-plated surface, in a practical plastic holder with a belt clip. Special feature: With the help of the special key shape, it is even possible to undo damaged (rounded) hex socket screws.

1 11 0606



Blade size (W x H x L mm)**Total length mm****PU Article no.**

T-handle screwdriver set, 8 pieces

for applying significantly more force than with conventional screwdrivers. With double-sided drive for hex socket screws (Allen screws). Voluminous, edge-free handle in 2-component technology with soft rubber insert, blades made of tempered S2 special steel, chrome-plated, with ball-end on longer blade, black satined, including a practical storage stand for on the workbench or mounting on the wall.

One key each of 2 - 2.5 - 3 - 4 - 5 - 6 - 8 - 10 mm

1	11 0520
---	---------

Hex key sets, 8 pieces

on key ring, according to DIN 911, made of chrome vanadium steel

sizes 2 - 2.5 - 3 - 4 - 5 - 6 - 8 - 10

1	11 0592
---	---------

$5/64'' - 3/32'' - 1/8'' - 5/32'' - 3/16'' - 7/32'' - 1/4'' - 5/16''$

1	11 0594
---	---------

Ball-end hex key set 7 pieces

in a pocket-sized holder

Sizes 2.5 - 3 - 4 - 5 - 6 - 8 - 10

1	11 0596
---	---------

TORX® key set, 8 pieces

in a pocket-sized holder

T 9 - T 10 - T 15 - T 20 - T 25 - T 27 - T 30 - T 40

1	11 0598
---	---------

Socket wrench set, 33 pieces

1/4" square drive, hex sockets made of chrome vanadium steel, plated with polished chrome, in a metal case.

Reversible ratchet with PosiLock holding mechanism, slide handle, 50 mm and 150 mm extensions, holder,

Cardan joint, sockets/bits: hexagon socket wrench sizes 4 to 14 mm, hex bit (Allen) 3 to 6 mm

Slot-head screwdriver 0.5 x 4 - 0.6 x 4.5 - 0.8 x 5.5

Crosshead screwdriver PH 1 - PH 2 - PH 3 - PZ 1 - PZ 2 - PZ 3

TORX® screwdriver T 10 - T 15 - T 20

280 x 130 x 90 mm	1	11 3104
-------------------	---	---------

Socket wrench set, 52 pieces

in a robust metal case, tools made of chrome vanadium steel, high-gloss polished and chrome-plated.

Contents:

1/4" socket wrench system

One of each of the following:

Hex sockets 4 - 4.5 - 5 - 6 - 7 - 8 - 9 - 10 - 11 - 13 mm

Ratchet with plastic handle, reversible for clockwise/counterclockwise rotation, with ball stop and quick release button that prevents sockets from being released accidentally, with 36-step ratcheting (pivoting angle 10°)

115 mm T-handle with sliding head

Extension 75 mm

Cardan joint 35 mm

Holder for 1/4" hex bits

1/2" socket wrench system

One of each of the following:

Hex sockets 10 - 11 - 12 - 13 - 14 - 15 - 17 - 19 - 22 - 24 - 27 - 30 - 32 mm

Hex socket 21 mm, with rubber clamp (spark plug wrench)

Ratchet with plastic handle, reversible for clockwise/counterclockwise rotation, with ball stop and quick release button that prevents sockets from being released accidentally, with 36-step ratcheting (pivoting angle 10°)

295 mm T-handle with sliding head

Extensions 125 and 250 mm

Cardan joint 65 mm

Screw bit system 1/4" hex drive

One of each of the following:

Ratchet screwdriver, clockwise/counterclockwise rotation or locking in middle position, 180 mm

Standard bits in plastic holders:

Slot-head screwdriver 0.5 x 4 mm, 0.8 x 5.5 mm, 1.2 x 7 mm

Cross-head screwdriver PH 1, PH 2, PH 3

Hex socket screw key (Allen) 3 - 4 - 5 - 6 - 7 - 8 mm

1/4" Square drive with ball stop

Additional tools: One each of hex socket L-key 1.5 - 2 - 2.5 mm

1	11 3152
---	---------

Blade size (W x H x L mm)**Total length mm****PU Article no.**

- 1
- 2
- 3
- 4
- 5
- 6
- 7
- 8
- 9
- 10
- 11
- 12
- 13
- 14
- 15
- 16
- 17
- 18
- 19
- 20
- 21
- 22
- 23
- 24
- 25
- 26

Bit and socket wrench set, 28 pieces

in attractive, compact, two-coloured plastic box, socket wrench and drive ratchet made of chrome vanadium steel, specially hardened, high-gloss polished and hard chrome-plated.

Contains one of each of the following:

Twelve-point sockets with 1/4" square drive: 4 - 4.5 - 5 - 5.5 - 6 - 7 - 8 - 9 - 10 - 11 - 12 - 13 - 14 mm

Mini ratchet with reverser and quick release 1/4" square drive,

screw bits made of S2 special steel, 25 mm long; each bit

for slot-head screws 4 - 5 - 6 mm

for Phillips crosshead screws PH 1 - PH 2 - PH 3

for Pozidriv crosshead screws PZ 1 - PZ 2 - PZ 3

for hex socket (Allen) screws 4 - 5 - 6 mm

Bit holder with quick-release, 55 mm long, for manual and machine operation

Adapter from 1/4" square drive (e.g. ratchet) to 1/4" hex drive (e.g. for screw bits), 25 mm long

1 11 3154

**NEW****SPECIAL socket wrench set, 7 pieces**

with key sizes 8 - 10 - 11 - 13 - 15 - 17 mm

Contents: per piece

hex sockets with 3/8" square drive and drive cross-handle made of chrome vanadium steel, specially hardened, highly polished and hard chrome-plated.

Special feature: With the help of the special key shape, it is even possible to undo damaged (rounded) hex socket screws.

1 11 3160

**Ratchet-ring and open-end spanner set, 12 pieces**

Wrench size across flats in set: 8 - 9 - 10 - 11 - 12 - 13 - 14 - 15 - 16 - 17 - 18 - 19 mm

(CIMCO article no. 11 2508 to 11 2519), delivered in a robust, spacious roll-up tool case.

1 11 2505

**Ratchet-ring and open-end spanner set, 16 pieces**

made of chrome vanadium steel, highly polished and chrome-plated, ratchet with fine gearing (72 teeth = only 5° pivoting angle), ideally suited for work in tight spaces.

Contents:

Open-ended and ratchet-ring spanners (size 10, 11, 13 and 17), bits for Phillips / Pozidriv crosshead screws

PH 1 - PH 2 - PZ 1 - PZ 2 Bits for slot-head screws 4 - 5.5 - 6.5 mm widths, bits for hex socket screws size 5 - size 6,

10 mm bit adapter, 1/4" square adapter

1 11 2434

**Ratchet-ring and open-end spanners**

for loosening or quickly tightening screws and nuts in one go with ratchet mechanism without having to reposition the ring-ratchet. At one end an open-end or fork spanner with 15° offset, at the other end a ring spanner of the same size with integrated ratchet mechanism with particular advantages:

Ratchet with fine gearing: 72 teeth = only 5° minimum pivoting angle. Turn to the left and right by simply turning the key and not with a cumbersome switch lever which often changes position unintentionally.

The overall height of the keys is very flat, despite the ratchet. This means the tools are particularly useful in tight spaces.

12-point ring with flank drive, i.e., the drive does not take place over the edges of the screw head but on the flanks, whereby a fundamentally higher power transmission is achieved and the edges of the screw heads and nuts are spared.

Drop-forged from chrome vanadium steel, tempered, polished to a high sheen, nickel-plated and hard-chrome-plated.

Extremely high torque transmission, DIN requirements are exceeded.

Wrench size across flats

8 mm	1	11 2508
9 mm	1	11 2509
10 mm	1	11 2510
11 mm	1	11 2511
12 mm	1	11 2512
13 mm	1	11 2513
14 mm	1	11 2514
15 mm	1	11 2515
16 mm	1	11 2516
17 mm	1	11 2517
18 mm	1	11 2518
19 mm	1	11 2519



Double open-ended spanner sets

according to DIN 3110 and ISO 3318, jaw position 15°, made of chrome vanadium steel, bright chrome-plated
8-pieces 6 x 7, 8 x 9, 10 x 11, 12 x 13, 14 x 15, 16 x 17, 18 x 19, 20 x 22 mm, with plastic clip

1 11 2310

12-pieces 6 x 7, 8 x 9, 10 x 11, 12 x 13, 14 x 15, 16 x 17,
18 x 19, 20 x 22, 21 x 23, 24 x 27, 25 x 28, 30 x 32 mm

1 11 2312

**Double open-ended spanner, individual**

6 x 7 mm 1 11 2200

8 x 9 mm 1 11 2202

10 x 11 mm 1 11 2204

10 x 13 mm 1 11 2206

12 x 13 mm 1 11 2208

13 x 14 mm 1 11 2210

13 x 17 mm 1 11 2212

14 x 15 mm 1 11 2214

16 x 17 mm 1 11 2218

17 x 19 mm 1 11 2220

18 x 19 mm 1 11 2222

20 x 22 mm 1 11 2226

21 x 23 mm 1 11 2228

24 x 27 mm 1 11 2232

25 x 28 mm 1 11 2234

30 x 32 mm 1 11 2238

**12-point ring spanner sets**

according to DIN 838 and ISO 3318, deep-offset (75°), made of chrome vanadium steel, bright chrome-plated,
8 pieces 6 x 7, 8 x 9, 10 x 11, 12 x 13, 14 x 15, 16 x 17, 18 x 19, 20 x 22 mm

1 11 2430

12-pieces 6 x 7, 8 x 9, 10 x 11, 12 x 13, 14 x 15, 16 x 17,
18 x 19, 20 x 22, 21 x 23, 24 x 27, 25 x 28, 30 x 32 mm

1 11 2432

**12-point ring spanners, individual**

6 x 7 mm 1 11 2330

8 x 9 mm 1 11 2332

10 x 11 mm 1 11 2334

10 x 13 mm 1 11 2336

12 x 13 mm 1 11 2338

14 x 15 mm 1 11 2344

16 x 17 mm 1 11 2348

17 x 19 mm 1 11 2350

18 x 19 mm 1 11 2352

20 x 22 mm 1 11 2356

21 x 23 mm 1 11 2358

24 x 27 mm 1 11 2362

25 x 28 mm 1 11 2364

30 x 32 mm 1 11 2368



Combination spanner set, 17 pieces

according to DIN 3113 A and ISO 3318, made of chrome vanadium steel, bright chrome-plated

Size 6 to 22 mm, in 1 mm increments	1	11 2500
-------------------------------------	---	---------



Combination spanners, individual

6 mm	1	11 2450
7 mm	1	11 2452
8 mm	1	11 2454
9 mm	1	11 2456
10 mm	1	11 2458
11 mm	1	11 2460
12 mm	1	11 2462
13 mm	1	11 2464
14 mm	1	11 2466
15 mm	1	11 2468
16 mm	1	11 2470
17 mm	1	11 2472
18 mm	1	11 2474
19 mm	1	11 2476
20 mm	1	11 2478
21 mm	1	11 2480
22 mm	1	11 2482
24 mm	1	11 2484
27 mm	1	11 2486
30 mm	1	11 2488
32 mm	1	11 2490



Adjustable spanners

according to DIN 3117 A, forged from steel, handle PVC coated, to allow simple work to be carried out quickly and flexibly.

Size 19	160	1	11 2800
Size 24	210	1	11 2802
Size 29	260	1	11 2804



Ratchet tool and inserts for screwed cable glands

Patented, professional tool system for time-saving, non-sliding and comfortable assembly of screwed cable glands, outstanding performance even in very constricted working areas (minimum pivoting angle only 10°) and while working with screwed cable glands with inserted cable, no damage to screw connections, for plastic and metal screw connections of several jaw sizes, ratchet and sockets made of special precision-manufactured steel, loading capacity at least 20 Nm

Torque wrench

Releasing torque wrench with holder for interchangeable tool attachments, quick adjusting via QuickSelect (safety locking device), window indicator with Nm and ft.lb or in.lb, 2-component handle. Additional loading after release or loading against the functional direction, e.g. with screws that are stuck, does not affect the release mechanism as it is protected against such damage. Indicator deviation $\pm 3\%$. Size of tool holder in mm, with Manoskop (square socket) 9 x 12 mm. Supply includes operating instructions and factory calibration certificate.

Only for use in combination with CIMCO article no. 11 5114, 11 5116 and 11 5100

Scale range: 2-20 Nm / 20-180 in.lb

Scale increments: 1 Nm/ 10 in.lb

Fine scale increments: 0.2 Nm

Weight 740 g	1	11 5110
--------------	---	---------

Scale range: 10-50 Nm / 7-37 ft.lb

Scale increments: 5 Nm/ 1 ft.lb

Fine scale increments: 0.25 Nm

Weight 831 g	1	11 5112
--------------	---	---------



Ratchet adapter

made of chrome vanadium steel, reversible, 60 teeth, suitable for torque wrench with 9 x 12 mm square holder.

Connection between torque wrench and ratchet adapter is secured by a spring-loaded retaining pin. When used with

CIMCO torque wrench, article no. 11 5110 and 11 5112, no gauge correction needed on the torque wrench.

Only for use in combination with CIMCO article no. 11 5110 and 11 5112.

1/2"	1	11 5114
------	---	---------

3/8"	1	11 5116
------	---	---------



Open ring-ratchet

Slotted ratchet head with removable plastic handle, wrench size across flats size 20 to hold all the following sockets, with simple rotation to turn to left and right which makes it suitable for tightening and loosening screwed cable glands. Can also be used in combination with CIMCO article no. 11 5110 and 11 5112.

1	11 5100
---	---------



Sockets for screwed cable gland ratchet

with size 20 holder, slotted version (other dimensions available upon request, minimum order 100 pieces) for screw connections

(mind manufacturer dimensions)	Size		
M 12	14	1	11 5014
M 12	15	1	11 5015
M 12, M 16	17	1	11 5017
M 12, M 16	19	1	11 5019
M 12, M 16	20	1	11 5020
M 16, M 20	22	1	11 5022
M 16, M 20	24	1	11 5024
M 20, M 25	27	1	11 5027
M 20, M 25	30	1	11 5030



Set of ratchets and sockets for screwed cable glands

set in impact-resistant plastic transport and storage case, consisting of 2-part open ring-ratchet, CIMCO article no. 11 5100 and 9 sockets (CIMCO article no. 11 5014 to 11 5030) for all common plastic and metal screwed cable glands of various manufacturers up to M 25

11-pieces	14 - 30	1	11 5000
-----------	---------	---	---------



Universal wrench for screwed cable glands

for tightening and loosening screwed cable glands of all kind, automatic continuously adjustable jaw size, ratchet-like function with 60° pivoting angle, handy and convenient even in constricted working areas, with fixed setting for continuous work with the same screw connection sizes, burnished metal surfaces, with two-component plastic handles

for wrench size across flats mm	Length mm	weight g		
Size 13 – 23	180	180	6	11 5040
Size 24 – 36	200	220	6	11 5042
2 piece set size 13 – 23 and size 24 – 36			1	11 5045



Mast key

made of die cast zinc (GD-ZN), 90 x 90 mm

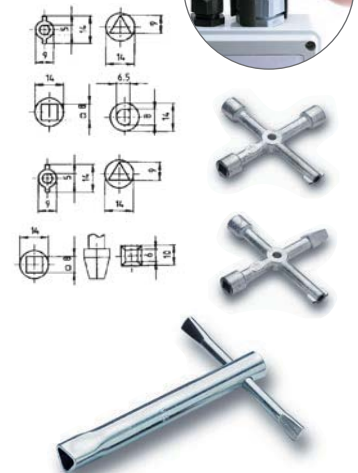
with half-moon	10	11 2882
----------------	----	---------

with square drive bit	10	11 2883
-----------------------	----	---------

Triangle nut driver

according to DIN 22417, with moving handle, galvanised, length 70 mm

for screws	Length of edges (inner dimension)		
M 3	6 mm	1	11 2900
M 4	7 mm	1	11 2902
M 5	9 mm	1	11 2904
M 6	11 mm	1	11 2906
M 8	13 mm	1	11 2908
M 10	16.5 mm	1	11 2910
M 12	18 mm	1	11 2912



Multi-Key

A completely new system - every switch cabinet key or mast key can be assembled individually.

Choose from among 13 different ends. All parts made of robust precision cast steel.

The interchangeable sockets are captively attached by a neodymium magnet.

Multi-Key set

complete set cross-key (CIMCO article no. 11 2783), all sockets (CIMCO article no. 11 2784 to 11 2797), in a plastic storage case

1	11 2798
---	---------



Cross-key

with 4 x 1/4" holder. Arms round (9 mm ø). With long chain and screwdriver bit 7 mm.

		1	11 2783
--	--	---	---------

Sockets

for Multi-Key system

□ Square socket	6	1	11 2784
	7	1	11 2785
	8	1	11 2786
	10	1	11 2787
▲ Triangular socket	7	1	11 2788
	8	1	11 2790
	9	1	11 2791
	10	1	11 2792
■ Square drive bit	6 - 10	1	11 2795
○ Two-way key bit	3	1	11 2793
	5	1	11 2794
◐ Half-moon		1	11 2797
○ DB standard		1	11 2796



Switch cabinet key made of die-cast zinc

for all common switch cabinets. Small dimensions, low weight.

With an adapter for 1/4" bits, with square key for radiator bleed valves and reversible bit for:

slot-head screws 1.0 x 7.0 mm			
PH2 crosshead screws			
□ 7 - 8 mm	□ 6 mm	○ 5 mm	
▲ 9 mm	○ 3 - 5 mm		

Universal switch cabinet key	1	11 2894
------------------------------	---	---------



Switch cabinet key case	1	11 2898
-------------------------	---	---------



Switch cabinet key "Mini"	1	11 2891
---------------------------	---	---------

SuBMaster

for all common switch cabinets, sub-distributions, street lamps, etc. Eight different wrenches can be brought into position by means of a double turning mechanism. An attached 5.0 mm square is especially suitable for ventilating heaters.

With adapter for 1/4" bits, designed with karabiner chain.

Magnetic plug connection for 9 - 10 mm square.

Weight 200 g

5 mm	6 mm	7-8 mm	9-10 mm	7 mm	8-9 mm	10-11 mm	3-5 mm	6 mm
96 x 92						1	11 2992	



SuBMaster BAU

Universal key for all locks with cylinder bore, also for all common technical tips. With a quadruple turning mechanism, eight different switch cabinet locking mechanisms can be moved into position.

Additionally with 5 mm square on the body. The incremental squares are attached magnetically with the SuBMaster and are easy to release. With stable chain and snap hook.

5 mm	6 mm	7-8 mm	9-10 mm	7 mm	8-9 mm	10-11 mm	3-5 mm	6 mm	5-9 mm
									1
									11 2990



SuBMaster KOMPAKT

Universal key for all common switching cabinets, sub-distributions, street lamps, etc. In a practical trouser pocket format (dimensions 97 x 25 mm) with clip.

With a double turning mechanism, four different switch cabinet ends can be brought into position.

Additionally there are a 5 mm square and a 1/4" bit holder incl. magnet in the body for 7-8 mm square.



1 11 2988

Special DB switch cabinet key

Design as with universal switch cabinet key (CIMCO article no. 11 2894), but with ends for Daimler Benz standard instead of 6 mm square

1 11 2895

Universal key PROFI KEY

made of die-cast zinc, with chain, adapter for 1/4" bits and double-bit for:

slot-head screws 1.0 x 7.0 mm



PH 2 crosshead screws



(e.g. heater ventilating valve)

Ideal for heating, air conditioning, ventilation and in new builds.

1 11 2922

New construction key

Solid metal key made of annealed cast iron, with versatile use options in buildings, especially new construction.

□ Square socket 6, 7 and 8 mm, □ Square drive bit 6 - 10 mm for doors and windows without metal fittings, hex key (Allen) 3 mm for set screws on door handles, adapter to close and open profile cylinder lock holders (17 mm ø), depth gauge for built-in locks 22 to 75 mm, bottle opener

195 1 11 2890

SuBKey ELEKTRO

for all common switch cabinets. By means of double turning mechanism, 4 different switch cabinet keys can be put into position. A universal 1/4" bit holder allows for use of all commercially available bits. A neodymium permanent magnet securely holds the bits in the holder. Weight: approx. 120 g.

Bit for:

PH 2 crosshead screws



155 1 11 2994



SuBKey BAU

for all common technical tips, also for door and window fittings, with new step-shaped square drive bit.
By means of double turning mechanism, 3 different keys can be put into position.

A 5.0 mm square attached to the pin is especially suitable for ventilating heaters. Due to the 1/4" bit holder, all commercial bits can be used. A neodymium permanent magnet securely holds the bits in the holder.

Weight 110 g

Bit for:

PH 2 crosshead screws



5 mm



7 mm



8 mm



9 mm

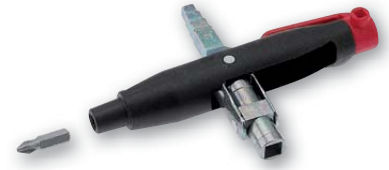


5 - 9 mm

145

1

11 2998

**Subfinder - SuBKey ELEKTRO PLUS**

The universal switch cabinet key for all common switch cabinets is manufactured from polycarbonate and has an integrated voltage tester. With a double turning mechanism, 4 different switch cabinet keys can be put into position. A universal 1/4" bit holder allows for use of all commercially available bits. A neodymium permanent magnet securely holds the bits in the holder.

The PLUS: the non-contact and optical voltage tester provides secure measurements of alternating currents

(50 - 600 volt AC, 50 - 60 Hz) even with line interruptions. The tester can be switched on or off with a push button.

Bit for:

PH 2 crosshead screws



5 mm



6 mm



7-8 mm



9 mm



3 - 5 mm

155

1

11 2996

**Wrench for set screws for fuses**

Diased, with lacquered wooden haft, suitable for all sizes

175

10

14 0100

**Wrench for set screws for fuses and for contact screws**

Diased, combined, re-insert to use for set screws 2 - 63 A, haft made of insulation material

105

10

14 0102

